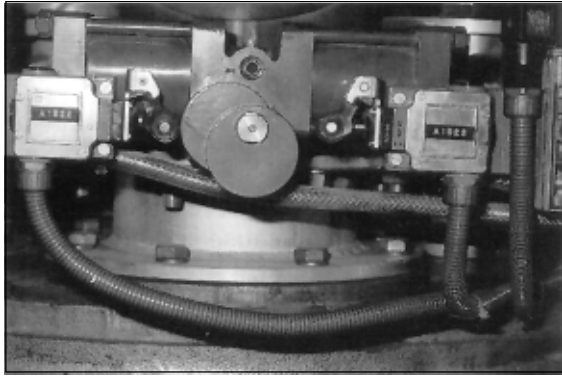


# TECHNICAL DATA FOR HFT - GLANDS:

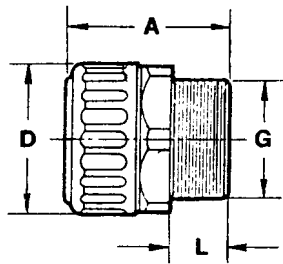


Suitable for all kinds of HFT corrugated pliable or flexible conduit. Colours: Grey or black. All types of glands, elbows and flanges have patented quick mounting systems and are waterproof to IP 54 or IP 65.

HFT hoses and glands are easy to install and give full protection against oils, fats, petrol, seawater, dust and heat.

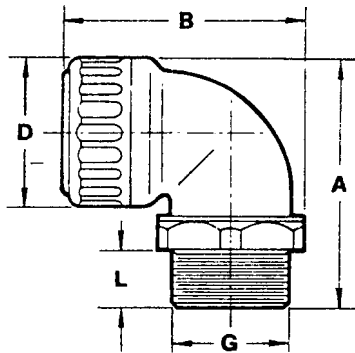
## STRAIGHT GLANDS with BS (Metric), NPT or PG Thread\*

Size	G			L	A	D	Suitable for HFXS
SGL 12/12	M 12 x 1.5	12.1	21	8.0	26.30	21.00	12
SGL 16/16	M 16 x 1.5	16.1	25	10.5	29.40	24.70	16
SGL 20/20	M 20 x 1.5	20.1	30	12.0	36.00	29.80	20
SGL 25/25	M 25 x 1.5	25.1	38	15.0	45.40	37.20	25
SGL 32/32	M 32 x 1.5	32.2	45	15.0	47.00	45.00	32
SGL 40/40	M 40 x 1.5	40.2	57	15.0	53.00	56.20	40
SGL 50/50	M 50 x 1.5	50.2	68	15.0	57.40	68.00	50
SGL 63/63	M 63 x 1.5	63.2	82	20.0	74.00	82.00	63
SGL 12-1/4	NPT 1/4"	13.8	21	8.0	26.30	21.00	12
SGL 16-3/8	NPT 3/8"	17.2	25	10.5	29.40	24.70	16
SGL 20-1/2	NPT 1/2"	21.4	30	14.5	38.50	29.80	20
SGL 25-3/4	NPT 3/4"	26.9	38	15.0	45.40	37.20	25
SGL 32-1	NPT 1"	33.6	45	15.0	47.00	45.00	32
SGL 40-5/4	NPT 5/4"	42.4	57	19.5	57.50	56.20	40
SGL 50-6/4	NPT 6/4"	48.5	68	20.0	62.40	68.00	50



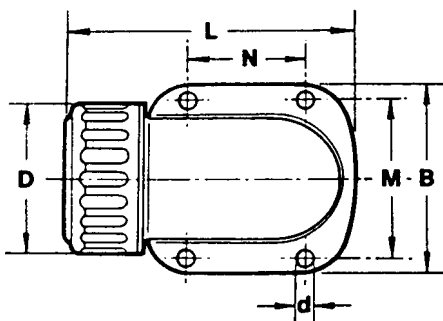
Straight glands type SGL, SVG

Temperature Resistant -40°C to +100°C  
Fire Rating -VO



Elbow glands type SEG, SVW

Temperature Resistant -40°C to +100°C  
Fire Rating -VO



Elbow Glands with Flange type SFL

Temperature Resistant -40°C to +100°C  
Fire Rating -VO

## ELBOW GLANDS with BS (Metric), NPT or PG Thread\*

Size	G			L	A	B	D	Suitable for HFXS
SEG 12/12	M 12 x 1.	12.1	21	8.0	36.30	39.00	21.00	12
SEG 16/16	M 16 x 1.5	16.1	25	10.5	42.85	44.55	24.70	16
SEG 20/20	M 20 x 1.5	20.1	30	12.0	51.50	52.40	29.80	20
SEG 25/25	M 25 x 1.5	26.1	38	15.0	64.40	65.90	37.20	25
SEG 32/32	M 32 x 1.5	32.2	45	15.0	75.00	77.40	45.00	32
SEG 12-1/4	NPT 1/4"	13.8	21	8.0	36.30	39.00	21.00	12
SEG 16-3/8	NPT 3/8"	17.2	25	10.5	42.85	44.55	24.70	16
SEG 20-1/2	NPT 1/2"	21.4	30	14.5	54.00	52.40	29.80	20
SEG 25-3/4	NPT 3/4"	26.9	38	15.0	64.40	65.90	37.20	25
SEG 32-1	NPT 1"	33.6	45	15.0	75.00	77.40	45.00	32
SVW 12/9	Pg 9	15.3	21	8.0	36.30	39.00	21.00	12
SVW 16/9	Pg 9	15.3	25	10.5	42.85	44.55	24.70	16
SVW 16/11	Pg 11	18.7	25	10.5	42.85	44.55	24.70	16
SVW 20/11	Pg 11	18.7	30	12.0	51.50	52.40	29.80	20
SVW 20/13	Pg 13.5	20.5	30	12.0	51.50	52.40	29.80	20
SVW 25/16	Pg 16	22.6	38	14.5	63.90	65.90	37.20	25
SVW 32/21	Pg 21	28.5	45	15.0	75.00	77.40	45.00	32

## ELBOW GLANDS with FLANGE

Size	D	L	B	M	N	d	Suitable for HFXS
SFL 20	30.0	65.00	41	33	27	4.2	20
SFL 25	37.2	75.90	45	37	30	4.2	25
SFL 32	45.0	90.00	56	46	37	5.2	32
SFL 40	56.2	110.60	70	58	45	6.2	40
SFL 50	68.0	129.30	84	72	55	6.2	50
SFL 63	82.0	162.00	98	84	70	6.2	63

**\* STANDARDS FOR THREADS**

- BS: Metric Thread acc. to BS 6053:1981
- NPT: American National Pipe Thread acc. to ANSI/ASME B 1.20.1
- Pg: Continental Thread acc. to DIN 40430