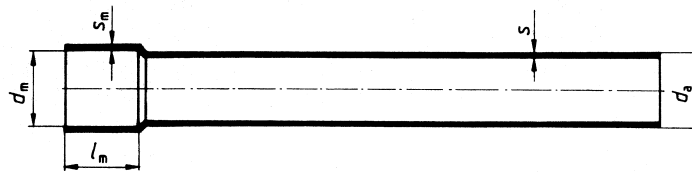


# UNIVOLT halogenfree Cable Ducting and bends

Type HFKR, type normal, colour black, acc.to EN 50086-2-4



## Nominal Sizes, Types and Dimensions (All dimensions in mm)



| Type         | HFKR<br>Type normal, 450 N |                                 |                                |                           |   |
|--------------|----------------------------|---------------------------------|--------------------------------|---------------------------|---|
| Nominal Size | O.D. of conduit<br>$d_a$   | Material-thickness<br>$s_{min}$ | I.D. of Socket<br>$d_{m, min}$ | Length of Socket<br>$l_m$ | Material-thickness of Socket<br>$s_{min}$ |
| 110          | 110.0 +0,6/0               | 3,2                             | 110,8 +0,5/0                   | 110                       | 2,9                                       |

Material: HFT-blend ,black halogenfree acc. to IEC 60754-1

## Typical Properties

| Property | Unit | HFKR |
|----------|------|------|
|----------|------|------|

### Physical Properties

|                       |                   |      |
|-----------------------|-------------------|------|
| Specific density      | g/cm <sup>3</sup> | 1.06 |
| Modulus of elasticity | N/mm <sup>2</sup> | 2400 |
| Elongation at break   | %                 | 50   |
| Water absorption      | %                 | 0.07 |

### Electrical Properties

|                               |       |     |
|-------------------------------|-------|-----|
| Dielectric strength           | kV/mm | 25  |
| Dielectric constant (E 800Hz) | -     | 2.8 |

### Fire behaviour

|                  |   |                      |
|------------------|---|----------------------|
| acc. to EN 50086 | - | Non flamepropagating |
| acc. to UL 94    |   | V 0                  |
| Oxygen Index     | % | 36                   |

### Thermal Properties

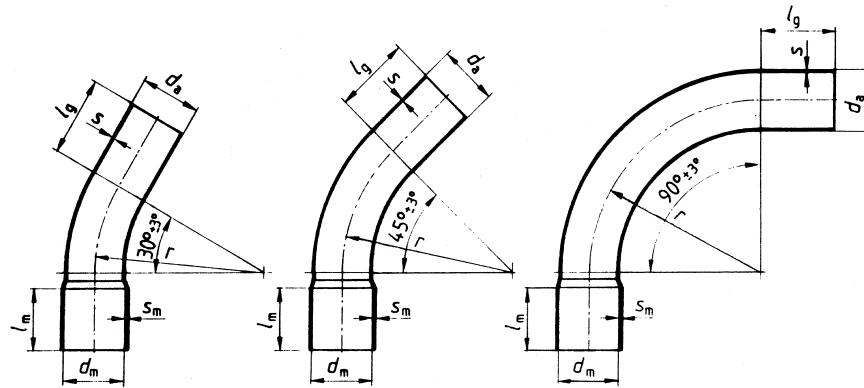
|                                  |        |                        |
|----------------------------------|--------|------------------------|
| Temperature resistance           | °C     | +140                   |
| Cold impact resistance           | °C     | -45                    |
| Coefficient of thermal expansion | m/m/°C | 0.7 x 10 <sup>-4</sup> |

### Mechanical Properties

|                      |   |      |
|----------------------|---|------|
| Cold impact at -45°C | J | >12  |
| Compression strength | N | >450 |

## Nominal Sizes, Types and Dimensions

(All dimensions in mm)



| Type         | HFKB<br>Type normal, 450 N |                                 |                                |                           |   |                              |               |
|--------------|----------------------------|---------------------------------|--------------------------------|---------------------------|---|------------------------------|---------------|
| Nominal Size | O.D. of conduit<br>$d_a$   | Material-thickness<br>$s_{min}$ | I.D. of Socket<br>$d_{m, min}$ | Length of Socket<br>$l_m$ | Material-thickness of Socket<br>$s_{min}$ | Straight end<br>$l_{g, min}$ | Radius<br>$r$ |
| 110          | 110.0 +0,6/0               | 3,2                             | 110,8 +0,5/0                   | 110                       | 2,9                                       | 115                          | 605 ± 30,5    |

Material: HFT-blend ,black halogenfree acc. to IEC 60754-1

### Typical Properties

| Property | Unit | HFKB |
|----------|------|------|
|----------|------|------|

#### Physical Properties

|                       |                   |      |
|-----------------------|-------------------|------|
| Specific density      | g/cm <sup>3</sup> | 1.06 |
| Modulus of elasticity | N/mm <sup>2</sup> | 2400 |
| Elongation at break   | %                 | 50   |
| Water absorption      | %                 | 0.07 |

#### Electrical Properties

|                               |       |     |
|-------------------------------|-------|-----|
| Dielectric strength           | kV/mm | 25  |
| Dielectric constant (E 800Hz) | -     | 2.8 |

#### Fire behaviour

|                  |   |                      |
|------------------|---|----------------------|
| acc. to EN 50086 | - | Non flamepropagating |
| acc. to UL 94    |   | V 0                  |
| Oxygen Index     | % | 36                   |

#### Thermal Properties

|                                  |        |                        |
|----------------------------------|--------|------------------------|
| Temperature resistance           | °C     | +140                   |
| Cold impact resistance           | °C     | -45                    |
| Coefficient of thermal expansion | m/m/°C | 0.7 x 10 <sup>-4</sup> |

#### Mechanical Properties

|                      |   |      |
|----------------------|---|------|
| Cold impact at -45°C | J | >12  |
| Compression strength | N | >450 |